



Namur Pilot Solenoid Valve for Pneumatic Actuation - Economy

- 100% Rated Coil
- Meets Namur Standard Fixing
- Suitable for Pneumatic actuators
- Techno polymer Body
- 3/2 and 5/2 Function
- IP65 Protected
- Manual Override Included
- European Manufacturer

> Description

An Economical, Namur pilot solenoid that fits onto all pneumatic actuators with standard Namur interfaces. The pilot valve has a techno-polymer body and is good for temperatures from -10°C up to + 50°C.

Supplied with 3/2 and 5/2 base plates that allows it to operate on both spring return and double acting pneumatic actuators that have Namur fixings. Voltages in various options. The valve is supplied with a manual override, generally used in testing or for operation during power failure.

All valves come with DIN Plug connectors. Port connections are 1/4".



Description

An economically priced Namur pilot solenoid valve that operates both Spring Return and Double Acting pneumatic actuators. Supplied in various voltages, Manual Override and DIN Plug Connector. Price is extremely competitive for a European manufactured valve.



Beschreibung

Ein preisgünstiges Namur-Vorsteuer-Magnetventil, das sowohl federrückgestellte als auch doppelwirkende pneumatische Stellantriebe ansteuert. Lieferbar in verschiedenen Spannungen, Handhilfsbetätigung und DIN-Stecker. Der Preis ist für ein in Europa hergestelltes Ventil äußerst wettbewerbsfähig.



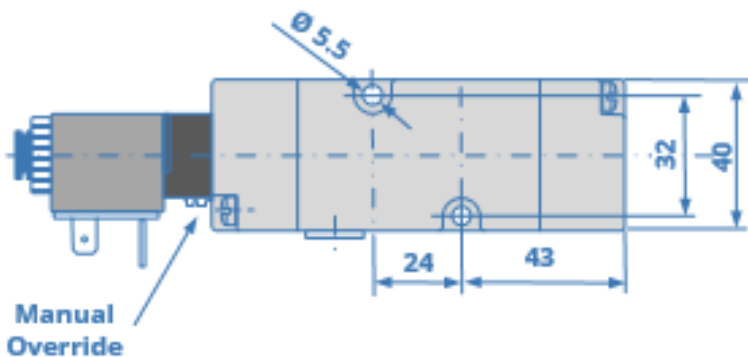
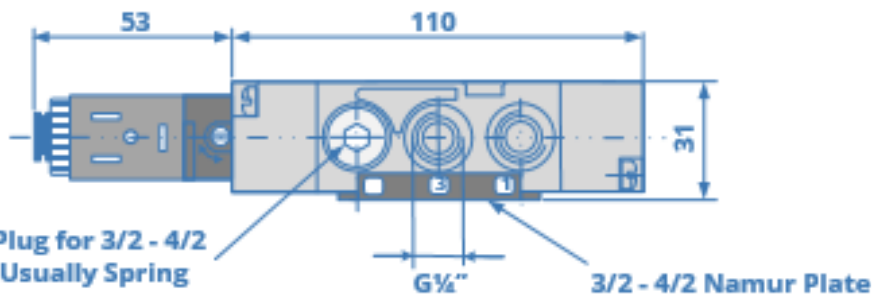
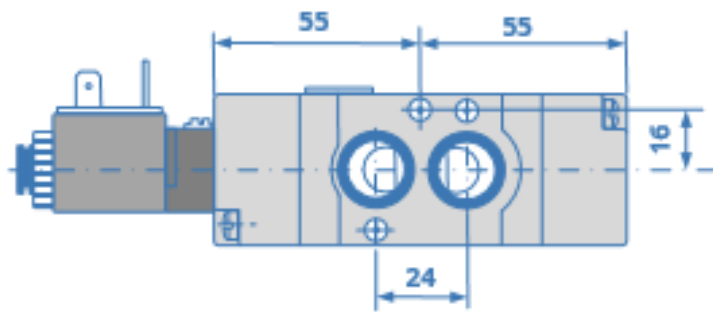
Descripción

Una válvula solenoide piloto Namur de precio económico que opera tanto actuadores neumáticos de retorno por resorte como de doble acción. Se suministra en varios voltajes, anulación manual y conector de enchufe DIN. El precio es extremadamente competitivo para una válvula fabricada en Europa.



Description

Une électrovanne pilote Namur à prix économique qui actionne à la fois des actionneurs pneumatiques à rappel par ressort et à double effet. Fourni en différentes tensions, commande manuelle et connecteur à fiche DIN. Le prix est extrêmement compétitif pour une vanne fabriquée en Europe.



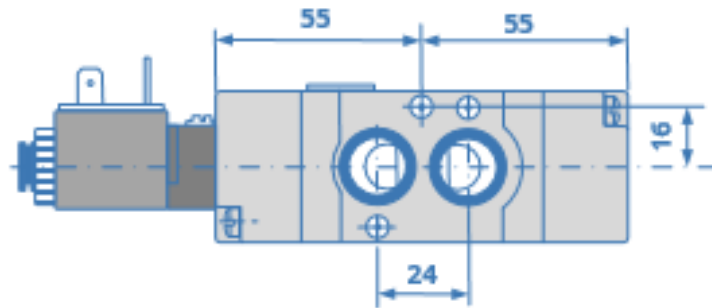
Note

Port 1 is the inlet air port – Normal pressure 5.5 Bar
 Port 3 is the exhaust port
 Port has the blanking plug

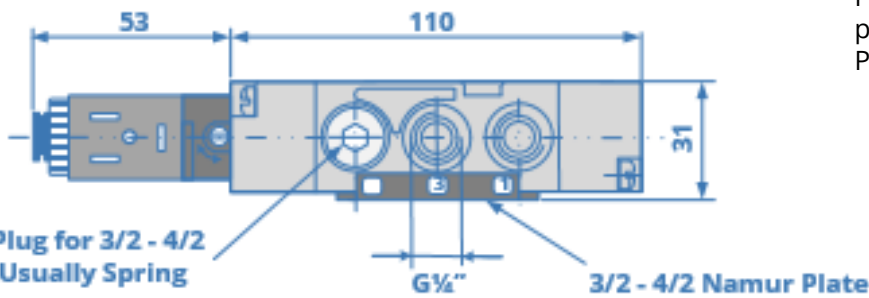


Operational Characteristics

Fluid	Flow Rate at 6 Bar with $\Delta p=1$ NI/min	Max working pressure (bar)	Orifice size	Working port size	Temperature '-10 to +50°C	Weight
Filtered and Lubricated Air	1100	10	8	G1/4"	45	200g



5/2 Pilot Solenoid Valve usually used with Pneumatic Double Acting Actuators

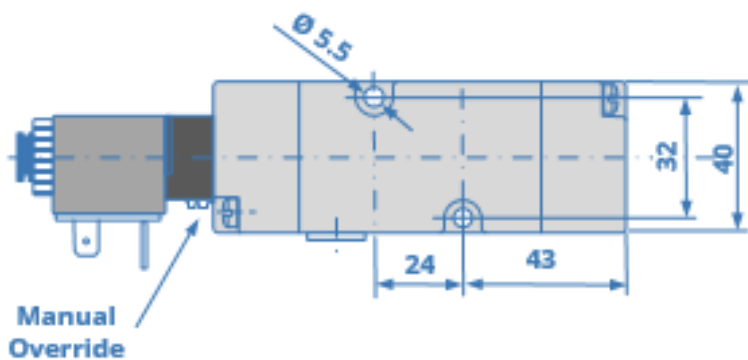


Note

Port 1 is the inlet air port – Normal pressure 5.5 Bar
Port 3 and 5 are the exhaust ports



Blanking Plug for 3/2 - 4/2 Function. Usually Spring Return.



Note

Port 1 is the inlet air port – Normal pressure 5.5 Bar
Port 3 is the exhaust port
Port 5 has the blanking plug



Operational Characteristics

Fluid	Flow Rate at 6 Bar with $\Delta p=1$ NI/min	Max working pressure (bar)	Orifice size	Working port size	Temperature ⁻¹⁰ to +50°C	Weight
Filtered and Lubricated Air	1100	10	8	G1/4"	45	200g

All information is sourced from our manufacturer's data and is intended for guidance only - Valves Online can accept no liability for changes, omissions or errors.

